

May 2022

Vol. 20 No. 5

President's Memo

Hello Members,

We were so sad to miss the events of April. Pictures showed you had a good time. Glad you did!

Remember our May meeting is this coming Tuesday, May 3. Hope to see you there.

**Have a new idea of a place to go for breakfast or a possible tour?
Any ideas for events for the month of May?**

Remember Cruise nights are Thursday, May 12 at the Dairy Queen in Seven Points and Thursday, May 26 at the Whataburger in Athens.

*Happy Model Aing,
Chuck Cheshire, President*

CLUB OFFICERS

President

CHUCK CHESHIRE

972-741-8749

Vice President

CHUCK SPORTSMAN

903-833-5572

Secretary/Treasurer

LOU CARPENTER

214-616-5813

BOARD of DIRECTORS

WALT HELLEBRAND

903-833-5572

JODY LETCHWORTH

903-603-4969

GERALD PHARISS

903-603-3666

NEWSLETTER EDITOR

NANCY CHESHIRE

nmcheshire@yahoo.com

WEBMASTER

BILL LEE

bill@wrlee.com





Mabank, Henderson Co., Texas

NAME AND PURPOSE

This club shall be known as the Cedar Creek Model A Ford Club, a non-profit organization, hereinafter referred to as the "Club."

The purpose shall be to maintain, preserve and restore the vehicle known as the Model A Ford (1928-1931) and all things pertaining to the Model A Ford, including literature, historical and technical information.

MEMBERSHIP

Application for membership shall be made in written form. Applications shall be filed with the Secretary and accompanied by dues for the current year.

RESTRICTIONS: All members of the Club shall be restricted to members of either the Model A Restorers Club or Model A Ford Club of America national clubs. Members may be accepted without ownership of a Model A Ford; however, no member shall be permitted to hold office unless said member has owned a Model A Ford within the six month period prior to the official election date.

DUES

The annual dues shall be fifteen dollars (\$15.00) per year. Dues are for the calendar year. The annual dues shall include member and wife and shall be payable before February 1st. Any member may be suspended by the Treasurer for non-payment of dues at the expiration of thirty (30) days from February 1st.

MEETINGS

Regular meetings of the members of this Club shall be held on the first Tuesday of every month unless said day shall fall upon a legal holiday, in which case the meeting date shall be established by the Board of Directors.

Table of Contents	
President's Letter	1
Photo of the Month	1
Club Officer's/Board Members/Committee Directors	1
Charter and Life Members	2
Club Membership Information	2
Table of Contents	2
Meeting Minutes / Model A Era Quiz	3
Sunshine News	3
Editor's Comments	4
Birthdays	4
Era Historical Tidbit	4
May Information	5
Club News	6-9
Technical Tips	10
National Club News	11-13
Event Calendar	14
Our Advertisers	14
MAFCA National Convention Registration	15-19

The Cedar Creek Model A Ford Club (CCMAFC) was formed in 2002 in Henderson Co., Texas. The club's meetings are held at the Dairy Queen in Seven Points, Henderson Co., Texas near Cedar Creek Lake.

Charter Members:

- John and Wanda Bell
- Jim Bellah – deceased
- Bill and Sue Capps
- O. V. and Lorene Cliver – deceased
- S. D. "Shorty" Johnson – deceased
- Olin Lewis – deceased
- Ola Powell – deceased
- Gene Tregre – deceased



Website



MARC



A MAFCA Chapter



MAFFI



MEETING MINUTES

Cedar Creek Model A Ford Club Monthly Meeting - April 5, 2022

Cedar Creek Model A Ford Club April 5, 2022 The meeting opened with the pledge. Chuck asked if everyone had read the minutes and if there were any corrections. Bob made a motion to accept them and Carolyn seconded it.

The financial report was read and accepted by Carolyn and Jody.

SUNSHINE REPORT Chuck is seeing a vascular surgeon in Tyler. Right now they are just watching his condition closely. He is also seeing a pulmonary specialist and has a pet scan scheduled for April 20th.

Walt was the only birthday present. We sang him Happy Birthday.

Harris has been visiting family in Louisiana. Spencer is on a business trip to Nashville.

Jody reported the Poor Boy Tour was great and they really enjoyed it. She said the bluebonnets were blooming in Hallettsville where the tour was held.

Walt and Anna will check the bluebonnets and send an email when it is scheduled. Carolyn and Gary are going to the festival in Ennis this weekend.

Walt requested a tech session. Bob is going to send an email to let us know when it will be held. Jody is making coffee and Chuck is bringing donuts. The Tuesday breakfast this month is going to be at McClains in Seven Points again. Fredye won the raffle. It brought in \$55.

Chuck asked for a motion to adjourn. Jody and Carolyn both approved the motion and we closed at 5:56 pm.

Lou Carpenter Secretary/Treasurer



ERA

Model A Era Quiz

What World Changing Event took place on September 28, 1928, London England by Alexander Fleming.

What was the Price of one pound Oreo of cookies in 1928?

What World Changing Event began on October 24 and peaked on October 29, 1929.

What was the price of Jello in 1929?

What Comic Strip made its first appearance in 1930?

What Food Item was invented in 1930?

Who was the Most Famous Person in America in 1931?

What was the Price of a man's tuxedo in 1931?

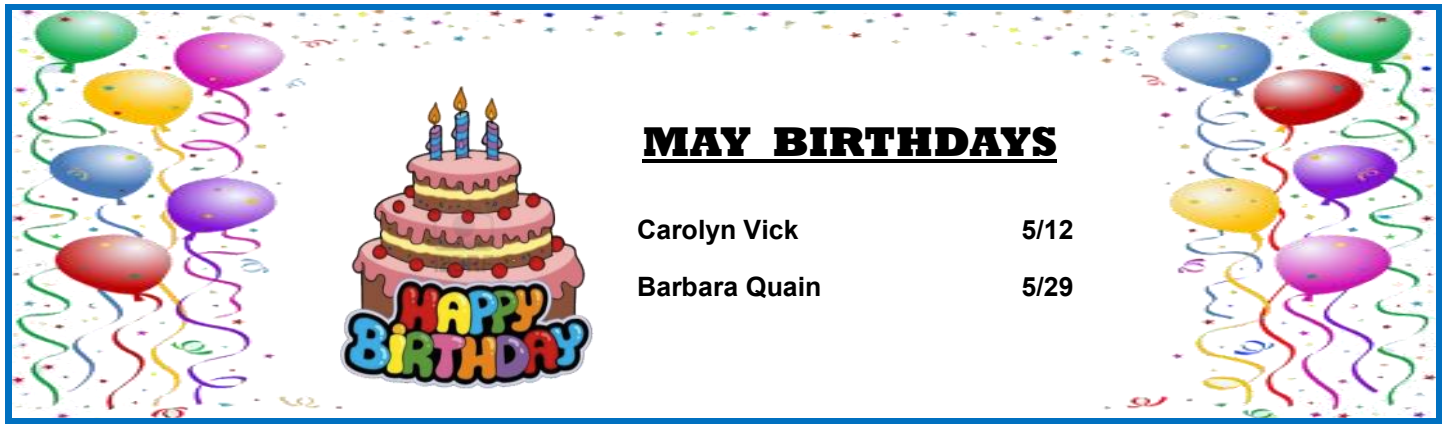
(Answers are on page 10)



Sunshine News By Lou Carpenter

Gerald Phariss will be having carotid artery surgery soon.
 Chuck Cheshire will have a heart cath on May 10. His other tests came out good.
 Keep us posted on your needs. We care about you!!!!





Hello Everyone,

We are sorry we missed most of the April events. We heard you had a good time. Thank you to those who send me pictures of the events when we are not there. It is greatly appreciated

Nancy Cheshire



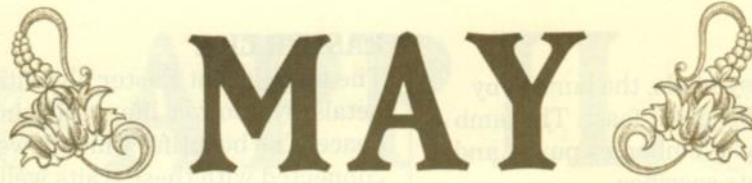
From the Editor

Era Historical Tidbit



Colorized Version of the Model A Assembly Line

THE FIFTH MONTH • 2022



*Named for the Roman goddess Maia, who oversaw the growth of plants.
Also from the Latin word maiores, "elders," who were celebrated during this month.*

WHAT IS MAY DAY?

May Day (May 1) is a holiday rich in history and folklore, celebrating the return of spring! It's the halfway point between the spring equinox and the summer solstice! Learn about some of the fun traditions, from May Day baskets to dancing around the maypole.

As with many early holidays, May Day was rooted in agriculture. Springtime festivities filled with song and dance celebrated the sown fields starting to sprout. Cattle were driven to pasture, special bonfires were lit, and doors of houses as well as livestock were decorated with yellow May flowers. In the Middle Ages, the Gaelic people celebrated the festival of Beltane. Beltane means "Day of Fire." People created large bonfires and danced at night to celebrate.

May Day has a long history and many traditions in England, some of which eventually came to America. Children would dance around the maypole holding on to colorful ribbons. People would "bring in the May" by gathering wildflowers and green branches, weaving of floral hoops and hair garlands, and crowning a May king and queen. Such rites originally may have been intended to ensure fertility for crops and, by extension, for livestock and humans, but in most cases this significance was gradually lost, so that the practices survived largely as popular festivities.

THE MAYPOLE DANCE

Did you ever dance around the maypole as a child? Wrapping a maypole with colorful ribbons is a

joyous tradition that still exists in some schools and communities.

- Originally, the maypole was a living tree chosen from the woods with much merrymaking. Ancient Celts danced around the tree, praying for good crops and fertility. For younger people, there was the possibility of courtship. If a young woman and man paired by sundown, their courtship continued so that the couple could get to know each other and, possibly, marry 6 weeks later on June's Midsummer's Day. This is how the "June wedding" became a tradition.
- In the Middle Ages, all villages had a maypole. Towns would compete to see who had the tallest or best maypole. Over time, this Old English festival incorporated dance performances, plays, and literature. People would crown a "**May Queen**" for the day's festivities.

The strict Puritans of New England considered the celebrations of May Day to be licentious and pagan, so they forbade its observance, and the springtime holiday never became an important part of American culture as it was in many European countries.

Interestingly, from the late 19th century through the 1950s, the maypole dance and festivities became a rite of spring at some U.S. colleges. Seen as a wholesome tradition, this celebration often included class plays, Scottish dancing, Morris dancing, a cappella concerts, and cultural dancing and music displays.

CLUB NEWS



McClain's Restaurant held a Cruise Night at their location on Saturday, April 9 and several club members attended.



Breakfast for April was at McClain's Restaurant in Seven Points on April 18.



Bluebonnet Tour to Ennis on April 20th





A very good Tech Session was held at Bob Letchworth's on Tuesday, April 26. Jody set up a nice coffee and snack table for everyone to enjoy.



Technical Tips

Jim's Tech Tips

"Grease Fitting Added to 7-tooth Steering Gear"

The Ford Service Bulletin from September, 1928, has a brief mention of adding a grease fitting to the sector shaft housing of the 7-tooth steering gear. Today's Tech Tip is a reprint of that little article from that bulletin.

FORD SERVICE BULLETIN for September

PAGE 281

NEW LUBRICATOR FITTING IN STEERING GEAR HOUSING

The drilled hole in the steering sector shaft, through which the lubricant in the steering gear housing was carried to the sector shaft bushings, has been discontinued. Sector shaft bushings are now lubricated by means of a lubricator fitting placed in the steering gear housing. (See A, Fig. 570.) Lubricant should be forced into this fitting every 2,000 miles.

Should an instance arise where it is necessary to install the present design sector in an old steering gear assembly, it will be necessary to install a lubricator fitting in the housing. This is done by drilling a $21/64$ " hole $2-3/32$ " back from center line of flange where housing is bolted to frame. (See Fig. 571.) The hole should be drilled through housing and sector bushing and then tapped with a standard $1/8$ " pipe tap. When tapping the hole, do not tap too deep. The hole should be tapped just deep enough so that when the lubricator fitting is screwed down tightly approximately two threads on the fitting will remain above the surface of the housing. (See Fig. 571.)

You fill the steering gear box with the very heavy and thick 600W oil, and you squirt a little grease into this fitting that you are adding. The grease will lubricate the sector shaft, and it will form a little bit of a barrier that will slow down (not stop) the 600W gear oil from seeping out the sector shaft.

Have a Model A Day!
Jim

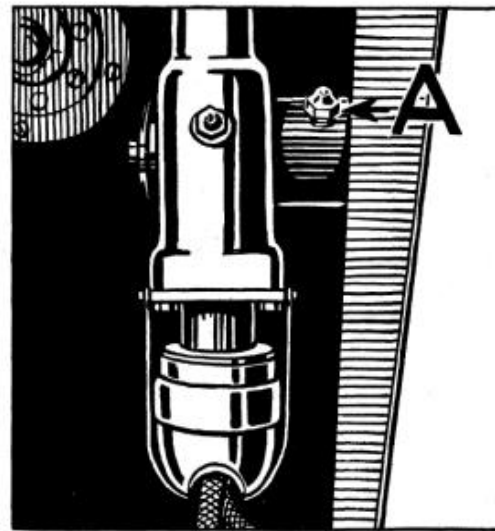


Fig. 570

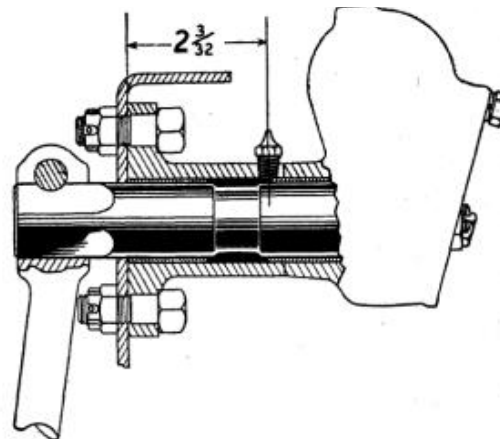


Fig. 571

NATIONAL CLUB

NEWS



Hello Fellow Model Aers,

Welcome to the best time of the year. The last of the snow has fallen and the wildflowers are beginning to emerge. It has been wonderful to finally be able to get my Coupe out for daily drives. I have been fortunate to attend several events this year. The Central California Regional Jamboree, hosted by the Paso Robles As had over three hundred in attendance. The Orange County A's held their 59th annual pancake breakfast with record attendance. I am looking forward to attending many Chapter Meetings and a swap meet or two. I know you will be spending time with your A at different activities too. I hope that you will keep a membership application for your local chapter and the national club in your car. When people want to visit about your car, I hope you will tell them about the many benefits of our wonderful club.

I would like to remind you that we have proclaimed May as Model A youth month. We have joined forces with the Model A Youth Restoration Award and the Model A Youth Scholarship organization. Check out our website, www.mafca.com for more information on these fine organizations. I would like to ask each chapter and group to actively promote the hobby with our young people. Our chapter is hosting a BBQ at a members ranch where we will have a variety of Model A's on display. We have invited everyone to bring their children and grandchildren. There will be opportunities to check out the cars and honk the horns. Those with drivers licenses will take the wheel and develop their driving skills. If we provide memorable experiences these young people will develop a love for the Model A just like we enjoy. Remember we have the A World Magazine available for the children. You can subscribe by sending your email address to Aworld@mafca.com. This is a wonderful electronic publication written by our editor, Sherry Winkinhofer. I hope you can do your part to share your car with grandchildren and neighbors.

I am getting excited for the fun time that we will have as we attend our National Convention in Kerrville Texas. It is not too late to send in your registration for this fun filled week in the Texas Hill Country. You can find the registration form on our website www.mafca.com.

Happy Motoring, Jay McCord



ANNOUNCING OUR 2022 ALL NEW MODEL A DAYS.
A FUN FILLED 2 DAY EVENT WITH SEMINARS, TOURS, DRIVING CLASSES, NEW 2 DAY SWAP.
A SPECIAL FRIDAY NIGHT DINNER AT THE KALAMAZOO AIR ZOO AND BBQ SATURDAY NIGHT!
OUR NEW HOST HOTEL NOW TAKING RESERVATIONS. WATCH FOR MORE INFORMATION AND HOW TO PRE-REGISTER FOR FRIDAY NIGHT AT THE ZOO, DRIVING CLASSES, AND OUR BBQ..!!

The NEW Model A Days
2-Day Swap Meet
Fashion, Seminars, Guided Tours, Driving Class!
September 16 & 17, 2022 9-5pm

The Gilmore Car Museum
 6865 W. Hickory Road
 Hickory Corners, MI 49060

Technical Seminars, Fashion, Hall of Fame Induction
A NEW 2 DAY EVENT
FRIDAY NIGHT AT THE AIR ZOO & SATURDAY BBQ*

Hotel Info: Delta Hotels by Marriott, 2747 S. 11th St. Kalamazoo, MI 49009 269.375.6000

For event info 803.727.4392 John Begg
 For Swap Reservations or Seminar information Mark Miron 847.302.7900





TEXAS HILL COUNTRY

June 12-17 2022

No Place Offers The Model A Experience Like The Texas Hill Country

MAFCA NATIONAL CONVENTION
YO RANCH RESORT • KERRVILLE, TEXAS

From its spectacular scenery to its beautiful two-lane country roads, here you will experience our hobby the way it is meant to be at the 31st National MAFCA Convention!

FIND CONVENTION INFORMATION ONLINE AT: www.mafca.com

Some of the week's highlights:

- San Antonio's Famous River Walk
- The Alamo - Birthplace of Texas
- Great Sightseeing & Restaurants!
- Fine Point Vehicle Judging
- Era Fashions & Judging
- Restorers Class

Hosted by **ALAMO 18**

Get Your Hubley Derby Car Ready for the National Meet in June

If you don't have a Hubley Model A, look on EBay for a kit to build or buy one that is already built. In 2008 a beat up green Hubley Tudor purchased on EBay won the overall award. It doesn't have to look good just roll fast. See rules on next page.



MAFFI NEWSLETTER MINUTE

Would You Like to Serve?

This year the Model A Ford Foundation is looking for three (3) individuals who love the Model A hobby and are interested in serving on the MAFFI Board of Trustees. The MAFFI Board oversees the Model A Ford Museum at the Gilmore Car Museum and encourages Model A'ers around the country to support the museum through membership in MAFFI, donations to the museum operations and the Endowment Fund.

A trustee serves for three years and is eligible to serve a second consecutive term if he or she desires. Trustees must be a member in good standing of MAFFI and we strongly encourage each trustee to support both national clubs, MAFCA and MARC through membership as well. We ask that while serving on the MAFFI Board, you do not run for or accept positions on another national club's board. If you think you may be interested in serving on the MAFFI Board, please contact John Marshall, (executivedirector@maffi.org), or Jerry Morrissey, (president@maffi.org).

The Board meets once a year on a day before Model A Day(s) at the Gilmore begin, which usually falls on the third weekend in September. Attendance at the meeting and Model A Day is strongly encouraged. Meetings and business are also conducted through email and conference phone calls so a trustee must have access to a computer for email. We like to have representation on the Board from all areas of the country. We would like to also encourage women to serve on the board.

Don't forget to register for your Model A Days prepaid events on the MAFFI website.

Thank you,

Mike DuBreuil, MAFFI

clubcontact@maffi.org



Hubley Derby Rules

These are the rules for the MAFCA National Convention in Kerrville, TX June 12-17, 2022.

The Track:

- Three lanes wide
- Forty feet long.
- Manual car "launching"
- Electronic timing
- Pillow or soft object at end of the track

The Cars:

- The cars must be metal 1:20 scale models made by Hubley, Gabriel, and Scale Model. Any of the seven Model "A" body styles may be used: Sedan, Station Wagon, Coupe, Roadster, Roadster Pickup, Victoria, and Phaeton.
- Cars must be stock including the original tires, wheels, and axle screws. **No modifications allowed.** No substitute axle screws.
- Steering may be secured or loose at makers choice.
- Cars will be weighed and inspected during registration. Weight of each car can be no more than 1 pound, 5 ounces (station wagon weight). A small amount of leeway will be allowed due to the differences of scales. Weights added to lighter cars must be secured, not loose in car.
- A dry lubricant (graphite for example) is allowed at owners choice.

The Classes:

Class 1: 3-12 year olds
Class 2: 13-17 year olds
Class 3: 18 and over

Entering The Race:

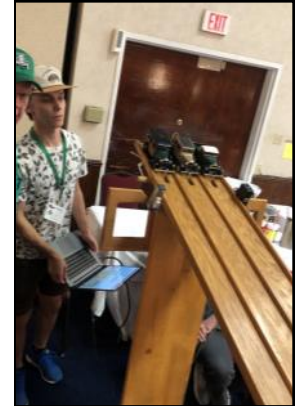
- The Racing Entry Form must be filled out.
- Once a car completes the check-in process it CANNOT be handled or worked on by the owner
- Cars will be assigned a number (a removable sticker attached to car)

The Race:

- After the cars are checked in, all handling and racing of the cars is done by race personnel. At the time their cars are being raced, the competitors may be called up to the track.
- Cars from each class will be pitted against each other in random order to determine Champion, 2nd, and 3rd place. In the final event, each class Champions will race to determine the overall winner. Prizes are awarded for the first three places in each age group and for the overall champion.
- Each car will be raced three times *once in each lane*.
- The time for each race will be recorded by computer. The lowest combined time is the winner for each class.

People's Choice Award:

The People's Choice Award is presented to the owner of the "people's" favorite Hubley Car. Balloting will begin once all cars are entered into the race and numbered and the winner will be the entry that receives the most votes. Ballots will be available in the race area and are limited to one vote per person. While voting is open to all ages, keep in mind the spirit of this competition—keep it fun and fair.

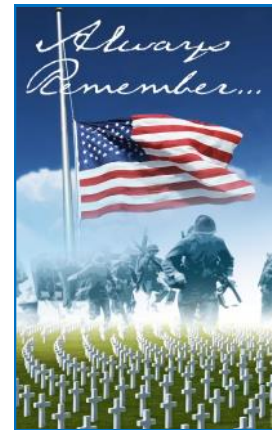


2022



Event Calendar

- APR 5, 2022 Meeting at the DQ in Seven Points
- APR 19, 2022 Breakfast
- APR, 2022 Bluebonnet Tour
- MAY 3, 2022 Meeting at the DQ in Seven Points
- MAY 17, 2022 Breakfast
- JUN 7, 2022 Meeting at the DQ in Seven Points
- JUN 12-17, 2022 ... [MAFCA National Convention/Texas Tour, Y.O. Ranch Hotel, Kerrville, TX](#)
- JUN 21, 2022 Breakfast
- JUL 5, 2022 Meeting at the DQ in Seven Points
- JUL 19, 2022 Breakfast
- AUG 2, 2022 Meeting at the DQ in Seven Points
- SEP 6, 2022 Meeting at the DQ in Seven Points
- SEP 17, 2022 [International Model a Day](#)
- OCT 4, 2022 Meeting at the DQ in Seven Points
- NOV 1, 2022 Meeting at the DQ in Seven Points
- NOV 5, 2022 [20th Anniversary Party](#)
- DEC 3, 2022 [Christmas Party at Mabank Library](#)



Patronize our Club Sponsors

a **YANKEE's** lock **SMITH** service
 Call Us For All Your Home, Auto or Business Needs
Call 903-880-AYLS (2957)
903-432-AYLS (2957)
 Serving the Cedar Creek Lake Area since 1995

Richard *Yankee* Smith, Owner and Operator
EMERGENCY SERVICE AVAILABLE

Licensed and Bonded - License Number BI3379



Seven Points
 Hwy 274 @ 334
 903-432-3076

Kemp
 1218 S. Elm Street
 903-498-8222

Danny Hampel & Shirley Leone
 Email: teddysdq@msn.com

Your Cedar Creek Model A Ford Club Meeting Host Since 2003

Mike's "A" Ford-able Parts
Mike Butcher

124 Model A Drive, Maysville, GA 30558
 email: mike@mikes-afordable.com - www.mikes-afordable.com
 Fax: 706 652 2492 - Phone: 706 652 3866
 1 888 TRY MIKE (879 6453)



Specialising in 1928 - 1931 Model A Ford Parts

BRASSWORKS
 Early Ford Radiator Reproductions
 Radiator Restorations
 Custom Built Radiators



28-29
 30-31
 32
 Radiator Cores
 Flat Tube
 Round tube
 Honeycomb
 Cartridge
 33-34
 35
 Heater Cores
 Fan Shrouds
 36
 37-39
 40-41
 Paso Robles, CA

www.thebrassworks.net 805.239.2501



Model A Ford Club of America
 Over 20 Years on the Web - 1997-2021
 "The Largest Car Club in the World Dedicated to One Type of Automobile"



MAFCA NATIONAL CONVENTION

June 12 - 17, 2022

Hosted by the San Antonio Alamo A's
Y.O. RANCH RESORT HOTEL
 Kerrville, Texas

Registration # _____
 Check # _____
 Amount \$ _____
 Date Received _____

Last Name _____ First Name _____ Spouse/Guest _____
 MAFCA Chapter _____ MAFCA Membership # _____
 Youth - Names & Ages _____ Will you be a Youth Assistant? Yes ___ No ___
 Address _____ City _____ State/Province _____
 Country _____ Zip/Postal Code _____
 Home Phone () _____ Cell () _____ Cell () _____
 Email _____ Email _____

Are you bringing a Model A? Yes ___ No ___
 Do you need trailer parking? Yes ___ No ___ Trailer parking will be at Youth Event Center, 3785 State HWY 27, Kerrville

Do you want your car to be judged? Yes ___ No ___
 Judging Class: Restored (Blue Ribbon) ___ Touring (Red Ribbon) ___ Original (White Ribbon) ___ Modified (Green Ribbon) ___
 What is the year of production _____ Body Style _____ Body # _____

Do you want to be a Car Judge? Yes ___ No ___ Name _____ Master ___ Senior ___ Apprentice ___
 Name & Test Areas Certified(1, 2, etc., or all) _____ Preferred Areas to Judge _____
 Additional Judge? Yes ___ No ___ Name _____ Master ___ Senior ___ Apprentice ___
 Name & Test Areas Certified(1, 2, etc., or all) _____ Preferred Areas to Judge _____

Do you want your Model A evaluated in the Restorers Class? Yes ___ No ___
 Would you like to be a Restorers Class Evaluator? Yes ___ No ___ Do you have experience as an evaluator? Yes ___ No ___

Do you want to be a Fashion Judging Entrant? Yes ___ No ___ Name _____
 Additional Fashion Judging Entrant? Yes ___ No ___ Name _____

If you are a MAFCA Fashion Judge, do you want to judge fashions? Yes ___ No ___ Name _____
 Additional MAFCA Fashion Judge? Yes ___ No ___ Name _____

Do you want to participate in the "For Love of Era Fashions" Show at the Awards Luncheon? Yes ___ No ___
 (Show Era Fashions only - not judged) Names _____

Do you want to sell at the Era Fashion Boutique? Yes ___ No ___
Do you want to sell at the Parts Swap Meet? Yes ___ No ___
Do you want to compete in the Hubley Derby? Yes ___ No ___ Competitor's Name(s) _____

Signed _____ Date _____

Day/Time	Activity	Fee	Quantity	Total
Friday June 17				
8:00 - 12:00 Noon	Hospitality - Raffle - Self Guided Tour Information			
8:00 - 4:00 PM	MAFCA Board of Directors Meeting			
8:00 - 12:00 Noon	Car Games	\$5		
10:00 - 1:00 PM	Special Interest Group (SIG)			
8:00 - 10:00 AM	SIG			
9:00 - 3:00 PM	SIG			
9:00 - 3:00 PM	SIG			
9:00 - 3:00 PM	SIG			
2:00 - 4:00 PM	Raffle - Pick Up			
5:00 - 6:00 PM	Pre Awards Banquet Social Hour - Hill Country Youth Event Center			
6:00 - 9:00 PM	Awards Banquet - Hill Country Youth Event Center	\$50		
	Chicken			
	Beef			
	Special Needs _____			
8:00 - 5:00 PM	Repair Tent - Tools & Space			
Saturday, June 18	Repair Tent as needed			
			Sub Total Page 4	_____
			Sub Total Page 3	_____
			Sub Total Page 2	_____
			GRAND TOTAL:	_____

*If you have signed up for one or more Bus Tours and have special mobility needs, please let the Registrar know so the information can be forwarded to the Tour Committee. They will respond to you. Registrar: Kim Harwell, 210-286-6045 or modelaharwell@yahoo.com

* Registration cancellations and requests for refunds after May 1, 2022 will be determined on a case by case basis.

US and International residents make checks payable in US funds to MAFCA 2020 National Convention. Mail payment with signed registration form and signed MAFCA waiver to Registrar - Kim Harwell, 33712 Stahl Lane, Bulverde, TX, 78163

<p>Please print and sign the Waiver Form to include with this application when submitting. Application cannot be processed without the Waiver Form.</p>			
			Page 4

MODEL A FORD CLUB OF AMERICA

WAIVER, INDEMNIFICATION RELEASE AGREEMENT

IN CONSIDERATION OF BEING PERMITTED TO VOLUNTARILY PARTICIPATE (AT MY REQUEST) IN THE EVENT OF MODEL A FORD CLUB OF AMERICA ("MAFCA"), IT'S CHAPTERS, REGIONS AND/OR SPECIAL INTEREST GROUPS REFERRED TO BELOW ("EVENT"), THE UNDERSIGNED AGREE(S) TO THE FOLLOWING:

- 1. THE UNDERSIGNED HEREBY RELEASES, WAIVES, DISCHARGES AND COVENANTS NOT TO SUE MAFCA, IT'S CHAPTERS, REGIONS OR SPECIAL INTEREST GROUPS, THEIR EMPLOYEES, OFFICERS AND AGENTS ("Releases")** from all liability to the undersigned, his or her or their personal representatives, assigns, heirs, family members and next of kin ("Releasers") for any loss, damage, or claim therefor on account of injury to the person or property of the Releasers, whether caused by any negligent act or omission or other fault of the Releasees or otherwise while the undersigned is participating in the Event or using any of Releasees' facilities in connection with the Event.
- 2. THE RELEASORS HEREBY AGREE TO INDEMNIFY AND HOLD HARMLESS** the Releasees rom all liability, claims, demands, causes of action, charges, expenses, and attorney fees and all other costs resulting from involvement in the Event whether caused by any negligent act or omission or other fault of the Releases or otherwise.
- 3. THE RELEASORS HEREBY ASSUME FULL RESPONSIBILITY FOR AND RISK OF PERSONAL OR BODILY INJURY, DEATH OR PROPERTY DAMAGE** while upon Releasee property or participating in the Event or using any Releasee facilities and/or equipment whether caused by any negligent act or omission or other fault of Releasees or otherwise. The Releasers expressly agree that the foregoing release and waiver, indemnity agreement and assumption of risk are intended to be and shall be interpreted and applied as broad and inclusive as permitted by applicable law.

I ACKNOWLEDGE THAT I HAVE READ THE FOREGOING, THAT I AM VOLUNTARILY ENTERING INTO THIS AGREEMENT AND THAT I AM AWARE OF THE LEGAL CONSEQUENCES OF THIS AGREEMENT, including that it prevents me, my personal representatives, assigns, heirs, family members and next of kin from suing the Releasees if I am injured or damaged for any reason as a result of participation in the Event.

IF THE PARTICIPANT IS A MINOR, HIS OR HER CUSTODIAL PARENT OR LEGAL GUARDIAN MUST READ AND EXECUTE THIS AGREEMENT WHERE INDICATED BELOW. I hereby warrant and represent that I am the legal guardian or custodial parent of the minor named below, who is a minor, and agree, on my own and said minor's behalf to the terms and conditions of the foregoing agreement.

I understand that I may talk to my legal advisor about this agreement and I have either done so or chosen not to. I understand that I have the right and have been given the opportunity to object to and bargain about the provisions of this agreement. I am voluntarily signing this agreement and intend it to be the unconditional release of all liability to the greatest extent allowed by applicable law.

BEFORE SIGNING, I HAVE CAREFULLY READ THIS ENTIRE AGREEMENT: If any accident, injury, death or damage to personal property occurs, you (by signing this agreement) will be giving up certain legal rights. If any part of this agreement is held invalid, the rest of the provisions shall remain in effect. If you do not understand anything in this agreement, you should not sign it and you should instead consult your legal advisor.

_____ **Date** _____ **Date** _____

Adult Participant Signature

Minor Participant Signature

_____ **Adult Participant Name (Printed)**

_____ **Minor Participant Name (Printed)**

_____ **Date:** _____

_____ **Date:** _____

Adult Participant signature

Parent/Guardian Signature

_____ **Adult Participant Name (Printed)**

_____ **Parent/Guardian Name (Printed)**

_____ **Emergency Contact Person** _____ **Phone Number** _____

Event: 2022 MAFCA National Conference **Dates: June 12-17, 2022** **Registration Number** _____

Waiver and Release

Property of the Model A Ford Club of America

Rev 05/08/13